

# INFILED

Screen your dreams



DB  
SERIES

## DEEP BLACK HIGH DEFINITION SOLUTIONS



The DB Series is designed with an ultra-black masking material and exclusive black LEDs to produce a new level of contrast for LED screens.

With high greyscale levels, a fast refresh rate and the highest quality components, the DB Series provides the ultimate LED screen picture quality. The DB Series was designed with an emphasis on ergonomics and usability.

The panels are of a modular design built around a robust die-cast aluminium frame, with inbuilt feet and edge protectors to prevent physical damage during assembly.

The DB Series comes equipped with a fast-locking system for quick locks, a curving system allowing both convex and concave configurations, and cable-free power and data connection (optional) for ultimate clutter-free installations .

Ultra-black LEDs for high contrast. A curving system with concave and convex configurations.

Indoor applications



Deep Black



High Contrast



High Greyscale Levels



Fast Installation

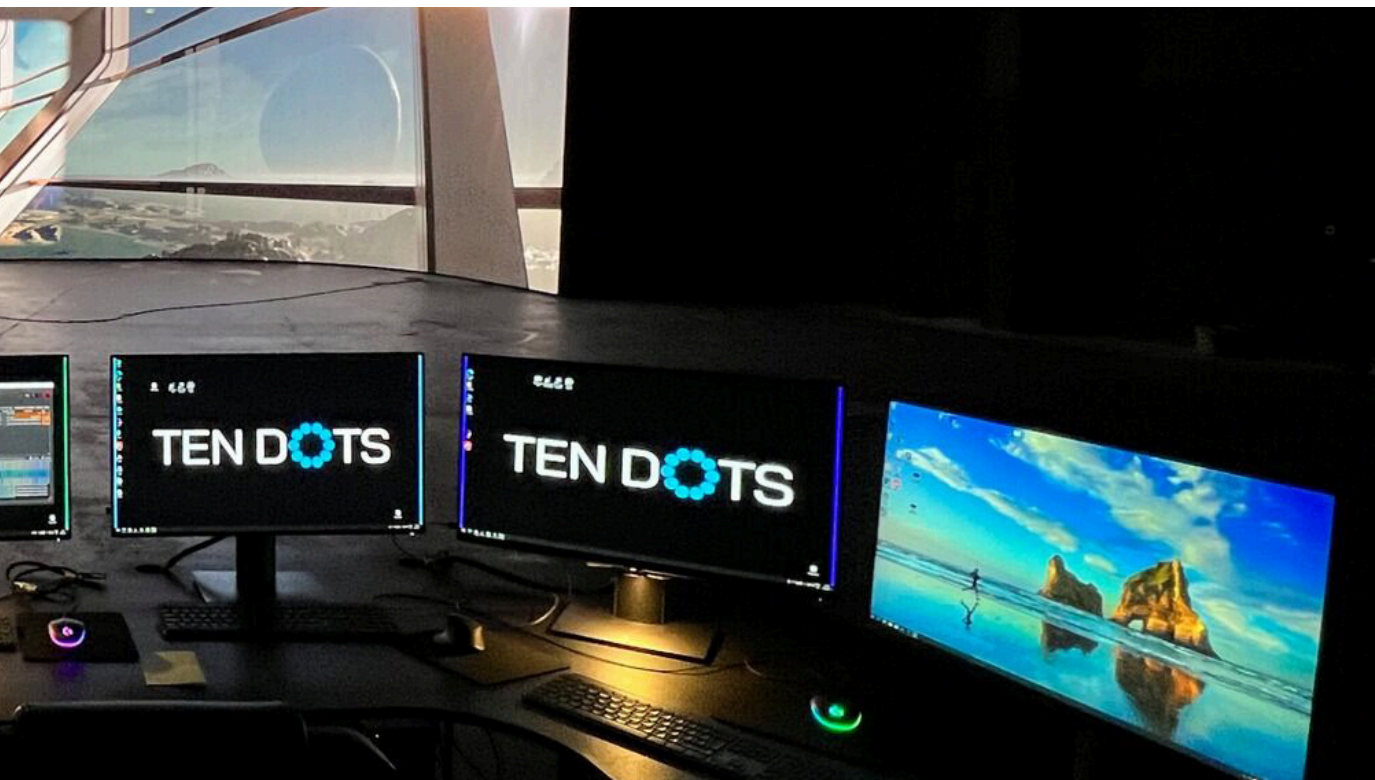


Light Weight



Rental

Pixel Pitch	1.5, 1.9, 2.3, 2.6, 2.8, 3.4mm
Brightness	800 - 1,800nits
Cabinet size (WxHxD)	500x500x75.5mm



## KEY FEATURES

### Deep black design. High contrast

DB series uses ultra-black masking materials and exclusive black LEDs to create a display with high contrast performance and ultimate image quality.

DB series has especially used the full-color SMD LEDs, which have high luminous intensity, wide color gamut, high reliability, and full black frame with high contrast for perfect display performance.



### Curved system



DB series allows concave or convex curved setup to better reproduce a realistic scene, Quick and easy to use concave and convex curving system with angles of  $\pm 5^\circ$  in 3 steps.

### Reliability

Edge protectors provide protection against physical damage.

Feet at the bottom of the panel keep the LEDs from scratching any surface underneath the panel.

Specially designed panel features protect the edge LEDs during screen set up.

DB2.6 EMC Class B Version with weaker electromagnetic interference can be applied to a wider range of applications.



### Easy maintenance



Front service is possible for applications where access from the back is restricted.

Separate and exchangeable power & data units .

## KEY FEATURES

### Multiple options



#### Hanging system

The panels can be hung from a truss bar or floor mounted based on the application required.



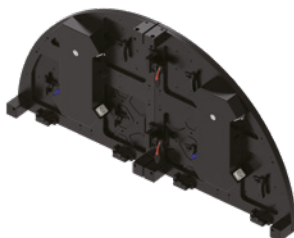
#### Stacking system

DB series can also be mounted on a trolley to transform into high definition mobile digi-board. With safety anti-collision rim, the LEDs can be well protected.



#### Cable Free

Cable free power and data connection for an elegant and clutter-free look.



#### Creative solution

Arc panels for creative applications.



#### IMD and GOB

IMD version available for DB1.5 & DB1.9 GOB version available for DB1.9. Much more durable. Common cathode structure, energy saving platform.



## Compatible with INFiLED Virtual studio solutions

DB Series high contrast performance and unparalleled image quality for a cinematic look. The background uses ultra-black masking materials and exclusive black LEDs to offer a new level of contrast. This product also allows concave or convex curved setup to better reproduce a realistic scene.

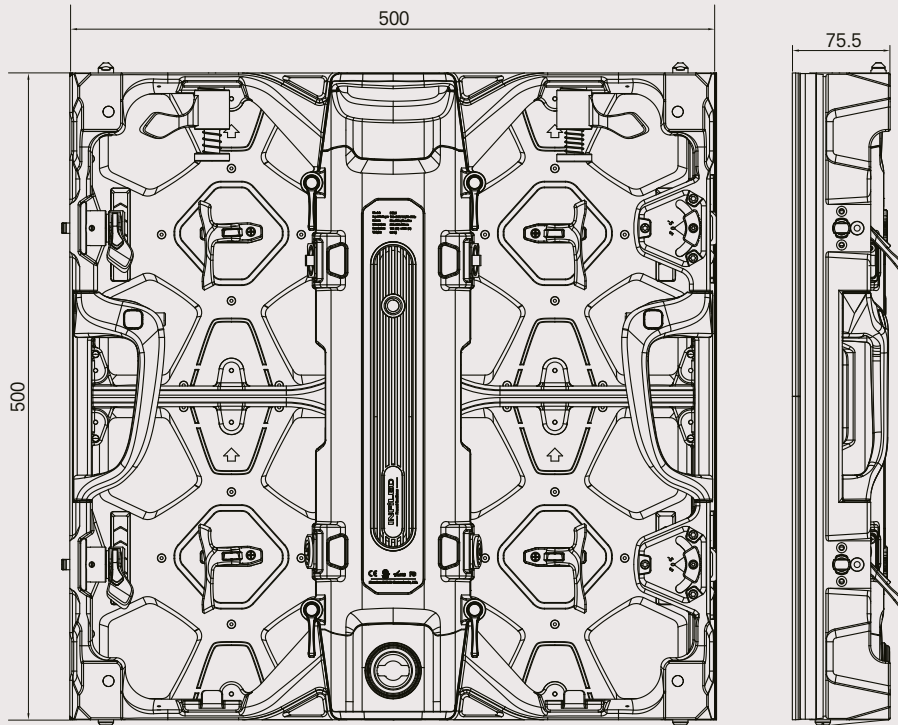
DB series is part of the LED DISPLAY MODULAR SYSTEM. Virtual ceiling (AR Series), Virtual Background (DB and XII series) and Virtual Floor (DFII).



Scan rate 1:8 multiplexing

Pixel Pitch	1.9, 2.6mm
Brightness	1.200 - 2.000nits
Cabinet size (WxHxD)	500x500x75.5mm

# SPECIFICATIONS



## Indoor Mini panel

Model Number	IL-RSS-IRDB1.5m4	IL-RSS-IRDB1.9m4
Pixel Pitch	1.56mm	1.95mm
Physical Density	409,600pixels/m <sup>2</sup>	262,144pixels/m <sup>2</sup>
LED Arrangement	4 IN 1 IMD	4 IN 1 IMD
Module Resolution	160×160pixels	128×128pixels
Module Dimensions	250×250mm(9.84×9.84in)	250×250mm(9.84×9.84in)
Cabinet Resolution	320×320pixels	256×256pixels
Cabinet Dimensions	500×500×75.5mm (19.68×19.68×2.97in)	500×500×75.5mm (19.68×19.68×2.97in)
Cabinet Weight	8.8kg(19.40lb)	8.8kg(19.40lb)
Brightness	600nits	800nits
Max Power Consumption	150w/panel	150w/panel
Avg Power Consumption	50w/panel	50w/panel
Viewing Angle	160°/160°	160°/160°
Operating Power Source	100-240V AC 50-60Hz	100-240V AC 50-60Hz
Operating Temperature	-10°C~+45°C	-10°C~+45°C
Refresh Rate(valued version)	≤ 3,840Hz(Configurable)	≤ 3,840Hz(Configurable)
IP Rating	IP30	IP30
Max Rigging	18 panels	18 panels
Signal Input Source	DVI,HDMI, DP, MINI DP,VGA,SDI,HD SDI	DVI,HDMI, DP, MINI DP,VGA, SDI,HD SDI
Verification	CE, ETL, FCC, RoHS,Fire-protection	CE, ETL, FCC, RoHS, Fire-protection

The product specifications can be customized

# SPECIFICATIONS

## Indoor SMD panel

Model Number	IL-RSS-IRDB1.9	IL-RSS-IRDB2.3	IL-RSS-IRDB2.6
Pixel Pitch	1.95mm	2.31mm	2.6mm
Physical Density	262,144pixels/m <sup>2</sup>	186,624pixels/m <sup>2</sup>	147,456pixels/m <sup>2</sup>
LED Arrangement	3 IN 1 SMD	3 IN 1 SMD	3 IN 1 SMD
Module Resolution	128×128pixels	108×108pixels	96×96pixels
Module Dimensions	250×250mm(9.84×9.84in)	250×250mm(9.84×9.84in)	250×250mm(9.84×9.84in)
Cabinet Resolution	256×256pixels	216×216pixels	192×192pixels
Cabinet Dimensions	500×500×75.5mm (19.68×19.68×2.97in)	500×500×75.5mm (19.68×19.68×2.97in)	500×500×75.5mm (19.68×19.68×2.97in)
Cabinet Weight	8.8kg(19.40lb)	8.8kg(19.40lb)	8.8kg(19.40lb)
Brightness	600~800nits	1,000~1,200nits	1,000~1,200nits
Max Power Consumption	150w/panel	150w/panel	150w/panel
Avg Power Consumption	50w/panel	50w/panel	50w/panel
Viewing Angle	160°/160°	160°/160°	160°/160°
Operating Power Source	100-240V AC 50-60Hz	100-240V AC 50-60Hz	100-240V AC 50-60Hz
Operating Temperature	-10°C~+45°C	-10°C~+45°C	-10°C~+45°C
Refresh Rate(valued version)	≤ 3,840Hz(Configurable)	≤ 3,840Hz(Configurable)	≤ 3,840Hz(Configurable)
IP Rating	IP30	IP30	IP30
Max Rigging	18 panels	18 panels	18 panels
Signal Input Source	DVI,HDMI, DP, MINI DP,VGA,SDI,HD SDI	DVI,HDMI, DP, MINI DP,VGA,SDI,HD SDI	DVI,HDMI, DP, MINI DP,VGA,SDI,HD SDI
Verification	CE, ETL, FCC, RoHS,Fire-protection	CE, ETL, FCC, RoHS,Fire-protection	CE, ETL, FCC, RoHS, Fire-protection

Model Number	IL-RSS-IRDB2.8	IL-RSS-IRDB3.4
Pixel Pitch	2.84mm	3.47mm
Physical Density	123,904pixels/m <sup>2</sup>	82,944pixels/m <sup>2</sup>
LED Arrangement	3 IN 1 SMD	3 IN 1 SMD
Module Resolution	88×88pixels	72×72pixels
Module Dimensions	250×250mm(9.84×9.84in)	250×250mm(9.84×9.84in)
Cabinet Resolution	176×176pixels	144×144pixels
Cabinet Dimensions	500×500×75.5mm (19.68×19.68×2.97in)	500×500×75.5mm (19.68×19.68×2.97in)
Cabinet Weight	8.8kg(19.40lb)	8.8kg(19.40lb)
Brightness	1,200nits	1,000~1,800nits
Max Power Consumption	150w/panel	150w/panel
Avg Power Consumption	50w/panel	50w/panel
Viewing Angle	160°/160°	160°/160°
Operating Power Source	100-240V AC 50-60Hz	100-240V AC 50-60Hz
Operating Temperature	-10°C~+45°C	-10°C~+45°C
Refresh Rate(valued version)	≤ 3,840Hz(Configurable)	≤ 3,840Hz(Configurable)
IP Rating	IP30	IP30
Max Rigging	18 panels	18 panels
Signal Input Source	DVI,HDMI, DP, MINI DP,VGA,SDI,HD SDI	DVI,HDMI, DP, MINI DP,VGA,SDI,HD SDI
Verification	CE, ETL, FCC, RoHS,Fire-protection	CE, ETL, FCC, RoHS,Fire-protection

The product specifications can be customized



# SPECIFICATIONS

## DB Virtual Studio Solution Range

Model Number	IL-RSS-IRDB1.95-VSS	IL-RSS-IRDB2.3-VSS
Pixel Pitch	1.95mm	2.31mm
Physical Density	262,144pixels/m <sup>2</sup>	186,624pixels/m <sup>2</sup>
LED Arrangement	3 IN 1 SMD	3 IN 1 SMD
Module Resolution	128(H)x128(V)pixels	108(H)x108(V)pixels
Module Dimensions	250x250mm	250x250mm
Cabinet Resolution	256(H)x256(V)pixels	216(H)x216(V)pixels
Cabinet Dimensions	500x500x75.5mm	500x500x75.5mm
Cabinet Weight	8.8kg(19.40lb)	8.8kg(19.40lb)
Brightness	1,200nits	1,800nits
Max Power Consumption	180W/Panel	180W/Panel
Avg Power Consumption	60W/Panel	60w/panel
Viewing Angle	160°/160°	160°/155°
Operating Power Source	100-240V AC 50-60Hz	100-240V AC 50-60Hz
Operating Temperature	-10°C~+45°C	-10°C~+45°C
Refresh Rate(valued version)	≤ 7,680Hz	≤ 7,680Hz
IP Rating	IP30	IP30
Receiving card	Brompton R2+	Brompton R2+
Signal input source	EtherCON 1Gpbs	EtherCON 1Gpbs
Verification	CE, ETL, FCC, RoHS,Fire-protection	CE, ETL, FCC, RoHS,Fire-protection

Model Number	IL-RSS-IRDB2.6-VSS	IL-RSS-IRDB2.8-VSS
Pixel Pitch	2.6mm	2.84mm
Physical Density	147,456pixels/m <sup>2</sup>	123,904pixels/m <sup>2</sup>
LED Arrangement	3 IN 1 SMD	3 IN 1 SMD
Module Resolution	96(H)x96(V)pixels	88(H)x88(V)pixels
Module Dimensions	250x250mm	250x250mm
Cabinet Resolution	192(H)x192(V)pixels	176(H)x176(V)pixels
Cabinet Dimensions	500x500x75.5mm	500x500x75.5mm
Cabinet Weight	8.8kg(19.40lb)	8.8kg(19.40lb)
Brightness	2,000nits	2,000nits
Max Power Consumption	180W/Panel	180W/Panel
Avg Power Consumption	60W/Panel	60W/Panel
Viewing Angle	160°/160°	160°/160°
Operating Power Source	100-240V AC 50-60Hz	100-240V AC 50-60Hz
Operating Temperature	-10°C~+45°C	-10°C~+45°C
Refresh Rate(valued version)	≤ 7,680Hz	≤ 7,680Hz
IP Rating	IP30	IP30
Receiving card	Brompton R2+	Brompton R2+
Signal Input Source	EtherCON 1Gpbs	EtherCON 1Gpbs
Verification	CE, ETL, FCC, RoHS,Fire-protection	CE, ETL, FCC, RoHS,Fire-protection

The product specifications can be customized

© Copyright 2023 INFILED. INFILED is a trademark of SHENZHEN INFILED ELECTRONICS Co, LTD. The information contained herein is subject to change without notice. INFILED shall not be liable for technical or editorial errors or omissions contained herein. For more information, please contact your local sales manager. March 2023



Shenzen HQ | Barcelona | Dubai | Rotterdam | Los Angeles | Kuala Lumpur

For more information, contact:  
[info.emea@infiled.com](mailto:info.emea@infiled.com)



[www.infiled.com](http://www.infiled.com)